



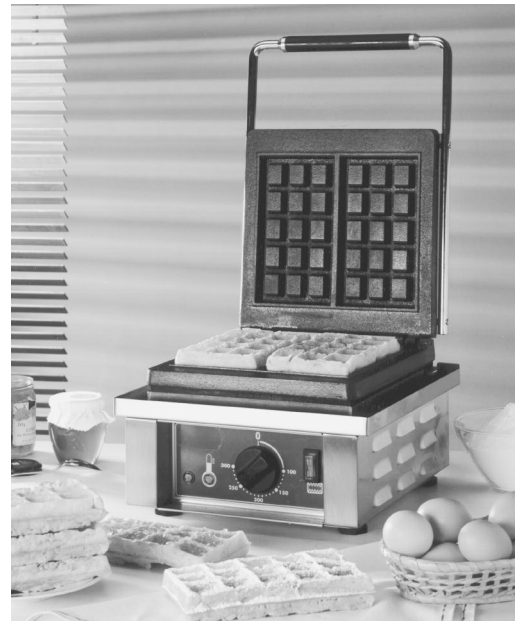
WAFFLE BAKER

CONCEPT

ELECTRIC WAFFLE BAKER

Heavy duty waffle bakers create evenly baked, great tasting, crispy golden-brown waffle. Watch your waffles raise your profits all day long

- Fine grain cast iron plates for baking to perfection
- Heavy duty top plate assures even rising without clips, floating hinges or turning
- Special design of top and bottom plate outer rims minimizes batter overflow
- Waffle patterns available: Brussels, Liege, Round, Cone, and Corn Dog
- Powerful heating elements for fast preheat and recovery are thermostatically controlled up to 570°F
- Each heating zone is independently controlled with lighted on/off switch, pilot and temperature indicator lights
- Stainless steel base for lasting service
- Wraparound removable stainless steel drip tray for easy cleaning
- Ideal for breakfast, snacks and dessert



Brussels pattern shown

AVAILABLE IN FOUR PATTERNS



SIERRA

GES/1
120 V



Round pattern shown

Options: 5-min timer with bell signal

GES
208/240 V

TWIN PEAKS

GED

208/240 V



Liege pattern shown

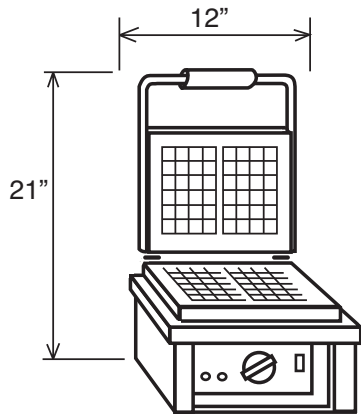
Options: two (2) 5-min timers with bell signal



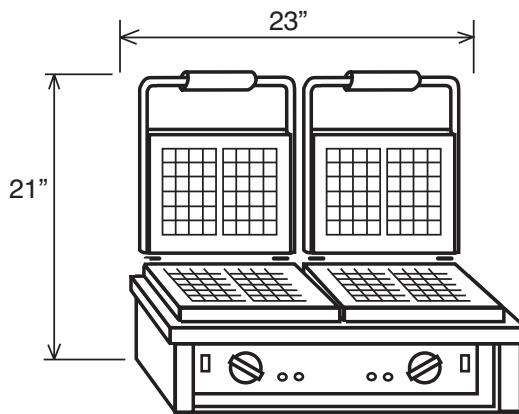
765 WESTMINSTER STREET PROVIDENCE, RI 02903
TEL: (401)273-3300 FAX: (401)273-3328 E-mail: sales@equipex.com
www.equipex.com



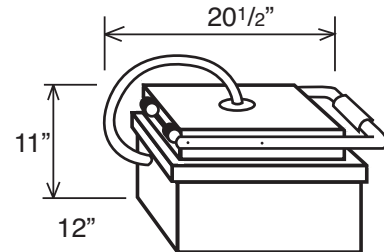
ELECTRIC WAFFLE BAKERS



GES (single)



GED (double)

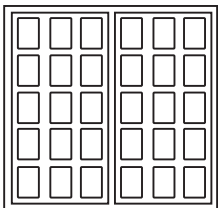


INSTALLATION CLEARANCE: 2" EACH SIDE

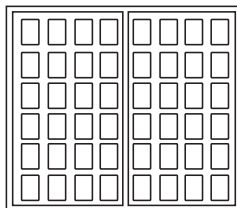
PLATE PATTERNS AVAILABLE

(please, specify when ordering)

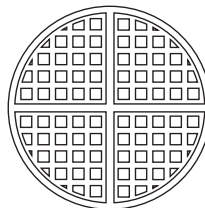
GES (Brussels)



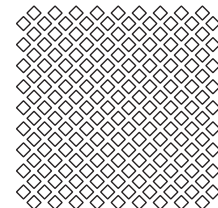
GES (Liege)



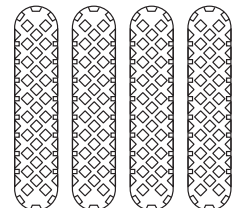
GES (Round)



GES (Cone)



GES (Corn Dog)



SPECIFICATIONS

MODEL	DESCRIPTION	ELECTRICAL	DIMENSIONS	SHIPPING WEIGHT	NEMA PLUG
GES	Single	120V, 1.75KW, 14 Amps 208/240V, 1PH, 1.6KW, 7/8Amps	12"Wx20 1/2"Dx21"H	50 lbs	5-15 P 6-15 P
GED	Double	208/240V, 1PH, 3.3KW 12/16Amps	23"Wx20 1/2"Dx21"H	100 lbs	6-20 P

BAKING CAPACITY (approximately 2-3 minute cycle)

model \ type	Brussels	Liege	Round	Cone	Corn Dog
Waffle size	7 1/2"x4 1/4"x1 1/4"	6 1/4"x4"x1 1/4"	7" diameter x 3/4"	9 3/4"x9 3/4"	
SINGLE	2	2	1	1	4
DOUBLE	4	4	2	2	8

WARRANTY: Limited one-year parts and labor



765 WESTMINSTER STREET PROVIDENCE, RI 02903
 TEL: (401)273-3300 FAX: (401)273-3328 E-mail: sales@equipex.com
 www.equipex.com