



# PANINI XL

## CONCEPT

### ELECTRIC 14" SQUARE PANINI GRILLS

*When bigger is better ...  
PANINI XL is the choice*

- Fine grain cast iron grooved, smooth and mixed plates
- 14" x 14" work surface with even heat distribution
- Rapid grilling with powerful 3.6KW heating elements
- Top and bottom heat controlled separately
- Thermostatically controlled up to 570°F
- Adjustable spring counter balanced top
- Detachable 2-position front drip tray and scraper
- Removable stainless steel side utensil shelves
- Heavy duty stainless steel base for lasting service

### PANINI XL



#### OPTIONS:

- \* manual 5 minute timer
- \* electronic timer with 3 programmable settings

### GROOVED

208/240 V



Grooved top and bottom plates  
(shown with electronic timer)

### FLAT

208/240 V



Smooth top and bottom plates

### MIXED

208/240 V



Grooved top and smooth  
bottom plates

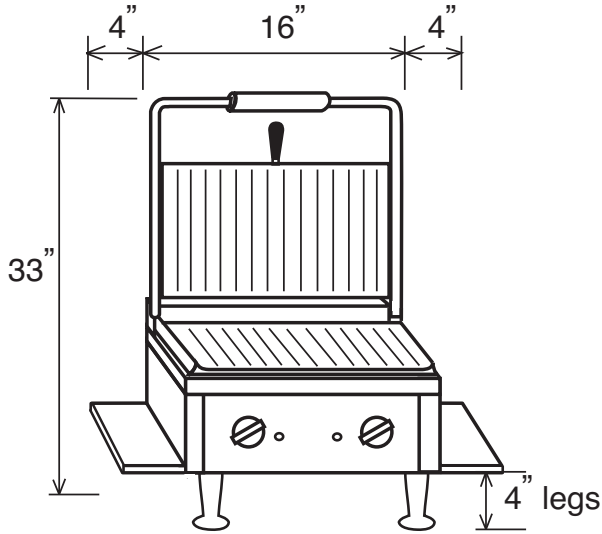


765 WESTMINSTER STREET PROVIDENCE, RI 02903  
TEL: (401)273-3300 FAX: (401)273-3328 E-mail: sales@equipex.com  
www.equipex.com

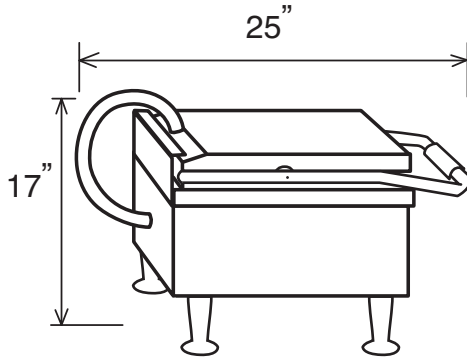




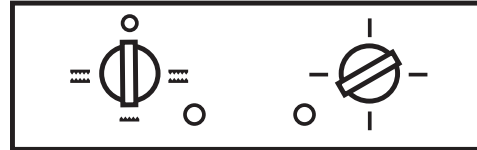
**ELECTRIC PANINI XL GRILLS**



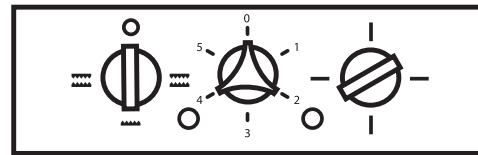
*Utensil shelves shown*



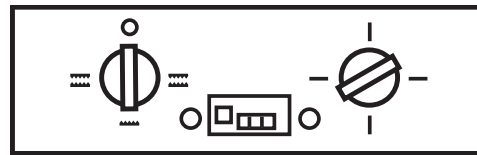
**CONTROL PANEL:**



**Standard:** Mode selector switch, regulating thermostat, green and red pilot lights



*Optional manual 5 minute timer added*



*Optional electronic timer added (3 independent settings with 1-99 minute range)*

**SPECIFICATIONS**

**INSTALLATION CLEARANCE: MINIMUM OF 4" TO COMBUSTIBLE SURFACES FROM BODY (ZERO CLEARANCE FROM UTENSIL SHELVES)**

| MODEL     | ELECTRICAL   | DIMENSIONS   | WORK SURFACE | SHIPPING WEIGHT | NEMA PLUG |
|-----------|--|--|--------------|-----------------|-----------|
| PANINI XL | 208/240V, 1PH<br>3.6KW, 13/15 Amps<br><br>Bottom heat only<br>2.2KW, 8/10 Amps | 24"Wx25"Dx33"H<br>(including 4" legs)<br>(including (2) 4" side utensil shelves) | 14"Wx14"D    | 100 lbs         | 6-20 P    |

**WARRANTY: Limited one year parts and labor**



765 WESTMINSTER STREET PROVIDENCE, RI 02903  
 TEL: (401)273-3300 FAX: (401)273-3328 E-mail: sales@equipex.com  
 www.equipex.com