



CONVECTION OVEN

CONCEPT

HALF SIZE CONVECTION OVENS

From pastries to entrees...

Bakes fast and evenly, intensifies and seals in flavor



- Compact footprint with four (4) half size sheet pan capacity
- Stainless steel exterior and interior construction
- Four chrome plated wire shelves included
- Rear fan and heating assembly create true convection pattern
- Unique air flow design ensures quick and uniform baking
- Thermostatic control up to 570°F with 120 minute timer
- Cool-to-the-touch double glass door removable for easy cleaning
- Internal light allows for cooking visibility

ARIEL

FC-60/1

120 V

FC-60

208/240 V



PINNACLE

FC-60G/1

120 V

FC-60G

208/240 V



CAPACITY:

- (4) wire shelves 13"x18" (included)
- (4) half size sheet pans (12⁷/₈"x17³/₄"x1")
- (4) two-thirds size steam table pans (13⁷/₈"x12³/₄"x2¹/₂"

WITH TURBOQUARTZ® FEATURE

features infrared overhead broiling elements - convection and broiling modes operate separately or in combination



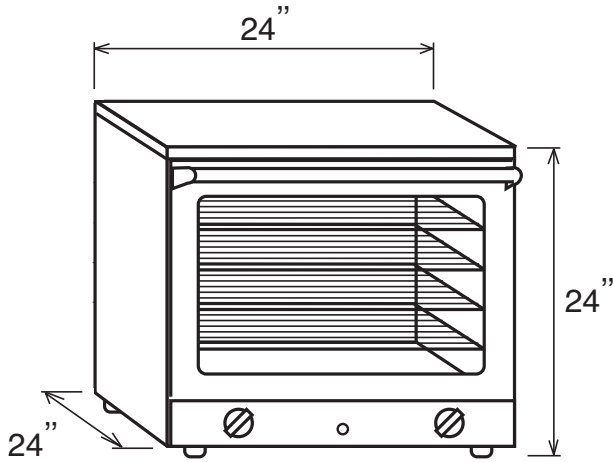
765 WESTMINSTER STREET PROVIDENCE, RI 02903
TEL: (401)273-3300 FAX: (401)273-3328 E-mail: sales@equipex.com
www.equipex.com



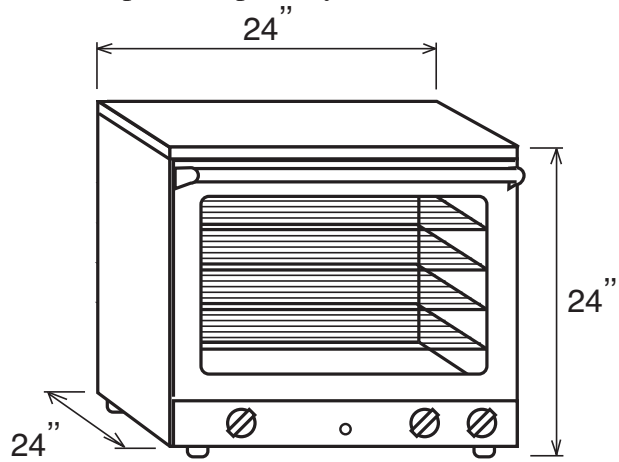
**HALF SIZE CONVECTION OVEN
MODEL FC-60, FC-60/1**

**HALF SIZE CONVECTION OVEN
WITH BROILER - TURBOQUARTZ®
MODEL FC-60G, FC-60G/1**

All features of FC-60 with infrared heating elements overhead - convection and broiling modes operate separately or in combination



FC-60 / FC-60/1



FC-60G / FC-60G/1

INSTALLATION CLEARANCE: 2" EACH SIDE, TOP AND BACK

SPECIFICATIONS

MODEL	ELECTRICAL	EXTERIOR DIMENSIONS	INTERIOR DIMENSIONS	SHIPPING WEIGHT	NEMA PLUG
FC-60	208/240V, 1PH, 3.3KW, 13/15 Amps	24"Wx24"Dx24"H (add 4" for legs)	18 1/2"Wx14 1/2"x13 1/2"H	85 lbs	6-20P
FC-60/1	120V, 1.7KW, 14 Amps	24"Wx24"Dx24"H (add 4" for legs)	18 1/2"Wx14 1/2"x13 1/2"H	85 lbs	5-15P
FC-60G	208/240V, 1PH, 3.3KW, 13/15 Amps	24"Wx24"Dx24"H (add 4" for legs)	18 1/2"Wx14 1/2"x12"H	85 lbs	6-20P
FC-60G/1	120V, 1.7KW, 14 Amps	24"Wx24"Dx24"H (add 4" for legs)	18 1/2"Wx14 1/2"x12"H	85 lbs	5-15P

WARRANTY: Limited one year parts and labor



765 WESTMINSTER STREET PROVIDENCE, RI 02903
 TEL: (401)273-3300 FAX: (401)273-3328 E-mail: sales@equipex.com
 www.equipex.com