



# GYROS GRILL

## CONCEPT

### ELECTRIC VERTICAL BROILERS

*Roast to perfection ... Gyros to Kebabs*



**GR 60E**

*shown with optional accessories*

- Gyros grills available in 3 sizes with the capacity ranging from 33 lbs. to 88 lbs.
- Independently controlled heating zones
- Ceramic stones add improved heat efficiency
- Movable heater housing ensures controlled roasting
- Stationary spit mechanism with adjustable meat support platform for convenience
- All stainless steel construction
- One-piece stamped grease pan and removable drawer for easy cleaning
- Optional accessories: meat shovel, s/s bottom splash extension, s/s side heat deflectors, glass doors, kebab attachment



### OLYMPUS

**GR 40E**      208/240 V

2 zones  
3 heating elements



*Shown with optional side heat reflectors and bottom splash extension*

### VESUVIUS

**GR 60E**      208/240 V

2 zones  
4 heating elements



### EVEREST

**GR 80E**      208/240 V

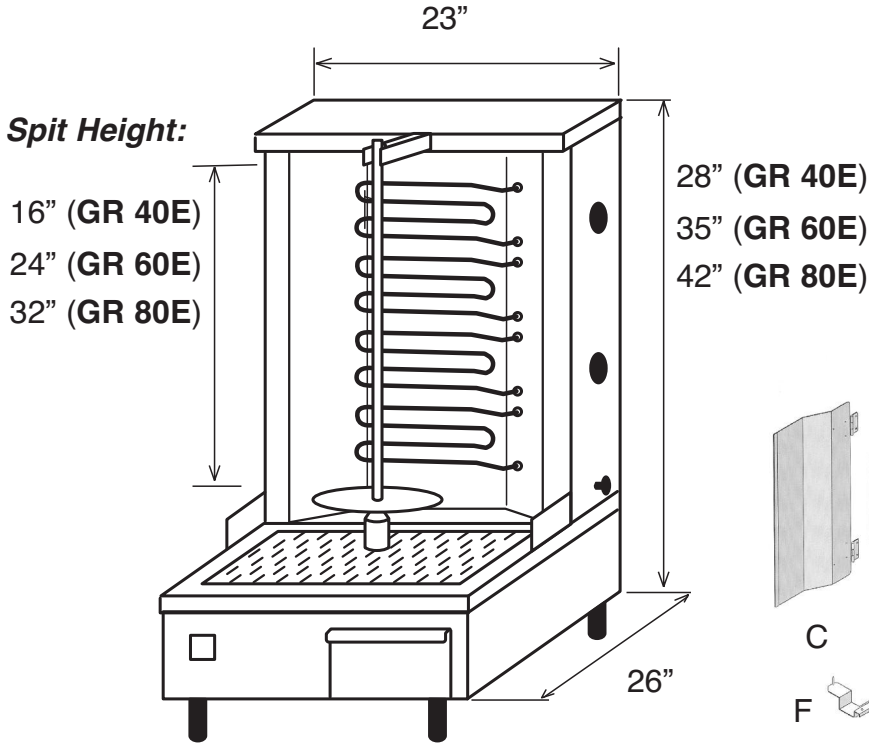
3 zones  
5 heating elements



765 WESTMINSTER STREET PROVIDENCE, RI 02903  
TEL: (401)273-3300 FAX: (401)273-3328 E-mail: sales@equipex.com  
www.equipex.com

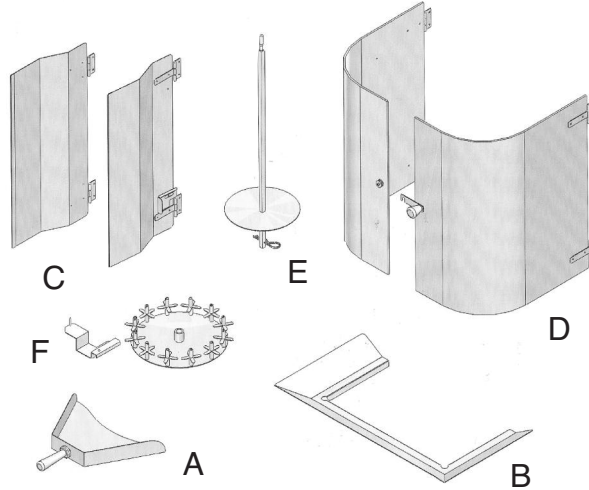


# ELECTRIC VERTICAL BROILERS



### Optional Accessories:

- A. meat shovel
- B. s/s bottom splash extension
- C. s/s side heat deflectors
- D. glass doors
- E. extra spit
- F. kebab skewer holder



## SPECIFICATIONS

INSTALLATION CLEARANCE :  
ALL MODELS 4" EACH SIDE AND BACK

MODEL	ZONES	ELECTRICAL	DIMENSIONS	CAPACITY	SHIPPING WEIGHT	NEMA PLUG
GR 40E	2	208/240V, 1PH, 3.6 KW, 15/18Amps	23"Wx26"Dx28"H (no legs)	33 lbs	60 lbs	L6-30P
GR 60E	2	208/240V, 3PH, 4.8KW, 12/14Amps	23"Wx26"Dx35"H (add 4" for legs)	55 lbs	69 lbs	L14-20P
GR 80E	3	208/240V, 3PH, 6.0KW, 15/17Amps	23Wx26"Dx42"H (add 4" for legs)	88 lbs	78 lbs	L14-30P

**WARRANTY: Limited one-year parts and labor**



765 WESTMINSTER STREET PROVIDENCE, RI 02903  
 TEL: (401)273-3300 FAX: (401)273-3328 E-mail: sales@equipex.com  
 www.equipex.com