

sodir

GRIDDLE

CONCEPT

COUNTERTOP ELECTRIC GRIDDLES AND PLANCHAS

Compact heavy duty griddles designed for controlled cooking with high energy efficiency

PSE SERIES GRIDDLES:

- Fine grain smooth cast iron plate assures even cooking
- Each cooking zone is thermostatically controlled up to 570°F
- On/off switch, pilot and temperature indicator lights for each cooking zone
- Stainless steel base for easy cleaning
- One piece griddle plate with integral back and side splashes
- Full length easily removable grease tray
- Recessed control panel for added safety

MODELS PSE/PCC/PSS-400

120 V



208/240 V

(PSE series shown)

- * One cooking zone
- * Available with plancha style (**PSS**) steel cooking surfaces and (**PCC**) chrome coated
- * Exterior dimensions:
 - PSE - 18"Wx19"Dx8"H
 - PSS - 18"Wx17"Dx10"H
 - PCC - 18"Wx17"Dx10"H

EQUIPEX LTD.

765 WESTMINSTER STREET PROVIDENCE, RI 02903
TEL: (401)273-3300 FAX: (401)273-3328 E-mail: sales@equipex.com
www.equipex.com

PLANCHA STYLE



Model **PSS-400** shown

PSS SERIES PLANCHAS:

All features of PSE series except for...

- Satin finished cold-rolled steel plates
- Platform style one piece griddle top
- Patented wraparound removable stainless steel grease tray

PCC SERIES PLANCHAS:

All features of PSS series except for...

- Chrome coated highly polished plate
- Ideal for demonstration cooking

MODELS PSE/PCC/PSS-600

120 V



208/240 V

(PCC series shown)

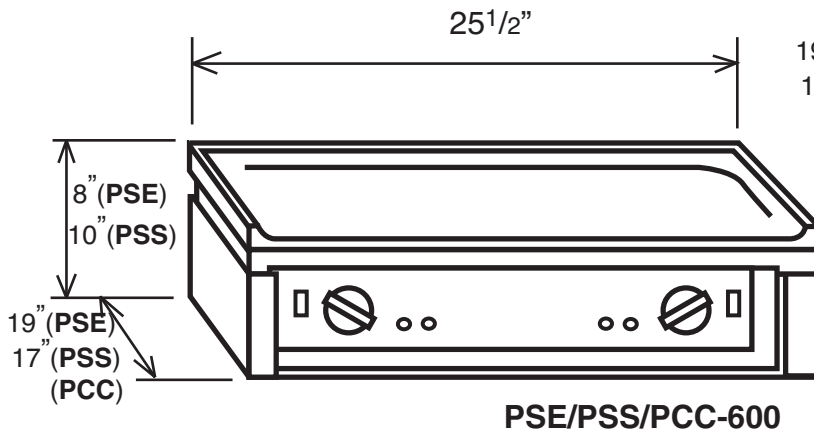
- * Two cooking zones
- * Available with cast iron (**PSE**) or plancha style (**PSS**) steel cooking surfaces also
- * Exterior dimensions:
 - PSE - 25 1/2"Wx19"Dx8"H
 - PSS - 25 1/2"Wx17"Dx10"H
 - PCC - 25 1/2"Wx17"Dx10"H



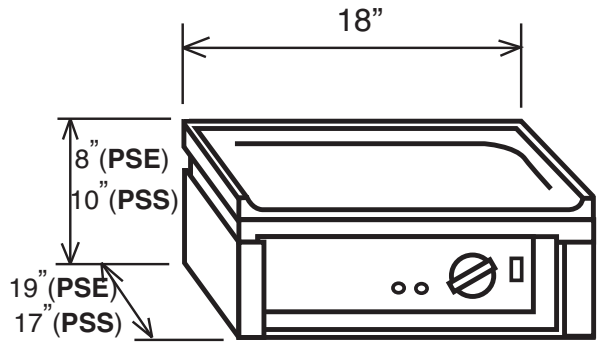


COUNTERTOP ELECTRIC GRIDDLES AND PLANCHAS

Compact heavy duty griddles designed for controlled cooking with high energy efficiency



PSE/PSS/PCC-600



PSE/PSS/PCC-400



SPECIFICATIONS

INSTALLATION CLEARANCE :
ALL MODELS 4" EACH SIDE AND BACK

MODEL	ZONES	ELECTRICAL	DIMENSIONS	WORK SURFACE	SHIPPING WEIGHT	NEMA PLUG
PSE-400	1	120V, 1.75KW, 15 Amps 208/240V, 1PH, 2KW, 9/10Amps	18"Wx19"Dx8"H	15"Wx14 1/2"D	40 lbs	5-15 P 6-15 P
PSS-400 PCC-400	1	120V, 1.75KW, 15 Amps 208/240V, 1PH, 2KW, 9/10Amps	18"Wx17"Dx10"H	15"Wx15"D	48 lbs	5-15 P 6-15 P
PSE-600	2	120V, 1.75KW, 15 Amps 208/240V, 1PH, 4KW, 16/18Amps	25 1/2"Wx19"Dx8"H	23"Wx14 1/2"D	54 lbs	5-15 P 6-20 P
PSS-600 PCC-600	2	120V, 1.75KW, 15 Amps 208/240V, 1PH, 4KW, 16/18Amps	25 1/2"Wx17"Dx10"H	23"Wx15"D	72 lbs	5-15 P 6-20 P

GRILLING CAPACITY *

MODEL	BURGERS	PANCAKES	STEAKS
PSE/PSS/PCC-400	210	170	75
PSE/PSS/PCC-600	320	240	115

* estimated per hour;
may vary with actual sizes
and brands of products

WARRANTY: Limited one-year parts and labor



765 WESTMINSTER STREET PROVIDENCE, RI 02903
TEL: (401)273-3300 FAX: (401)273-3328 E-mail: sales@equipex.com
www.equipex.com